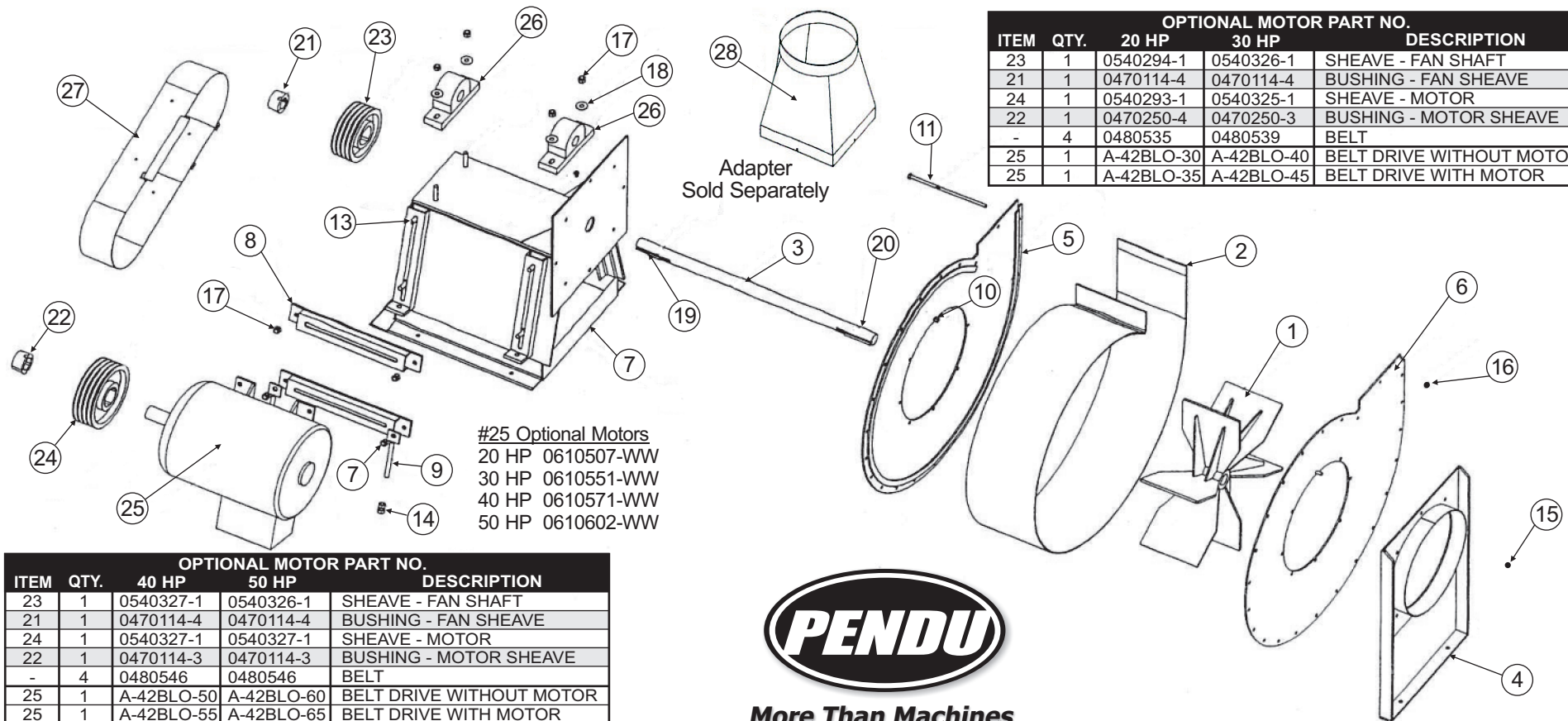
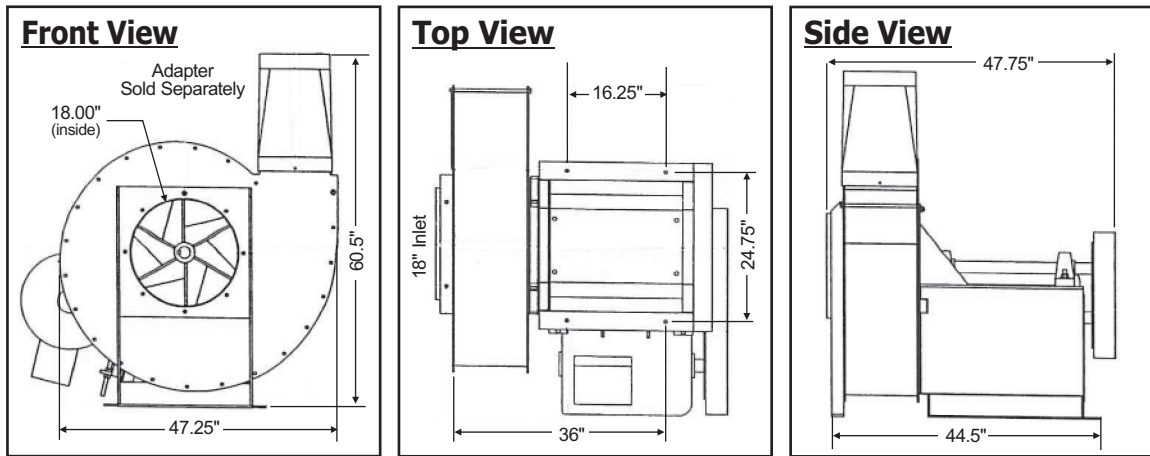


# 42" Blower - Parts and Assembly



#25 Optional Motors  
 20 HP 0610507-WW  
 30 HP 0610551-WW  
 40 HP 0610571-WW  
 50 HP 0610602-WW

| ITEM | QTY. | OPTIONAL MOTOR PART NO. |            | DESCRIPTION              |
|------|------|-------------------------|------------|--------------------------|
|      |      | 40 HP                   | 50 HP      |                          |
| 23   | 1    | 0540327-1               | 0540326-1  | SHEAVE - FAN SHAFT       |
| 21   | 1    | 0470114-4               | 0470114-4  | BUSHING - FAN SHEAVE     |
| 24   | 1    | 0540327-1               | 0540327-1  | SHEAVE - MOTOR           |
| 22   | 1    | 0470114-3               | 0470114-3  | BUSHING - MOTOR SHEAVE   |
| -    | 4    | 0480546                 | 0480546    | BELT                     |
| 25   | 1    | A-42BLO-50              | A-42BLO-60 | BELT DRIVE WITHOUT MOTOR |
| 25   | 1    | A-42BLO-55              | A-42BLO-65 | BELT DRIVE WITH MOTOR    |

| ITEM NO. | QTY. | PART NO. | DESCRIPTION                  |
|----------|------|----------|------------------------------|
| 1        | 1    | 42BLO110 | FAN                          |
| 2        | 1    | 42BLO120 | SCROLL SHEET                 |
| 3        | 1    | 42BLO140 | SHAFT                        |
| 4        | 1    | 42BLO180 | PLATE - INLET                |
| 5        | 1    | 42BLO200 | SIDE PLATE - REAR            |
| 6        | 1    | 42BLO205 | SIDE PLATE - FRONT           |
| 7        | 1    | 42BLO210 | FRAME                        |
| 8        | 2    | 42BLO220 | RAIL - MOTOR                 |
| 9        | 2    | 42BLO250 | TAKE - UP                    |
| 10       | 16   | 0330201  | 1/2 - 13 X 1-1/4" HHCS       |
| 11       | 22   | 0330220  | 1/2 - 13 X 13" HHCS          |
| 12       | 4    | 0330234  | 5/8 - 11 X 3" HHCS           |
| 13       | 4    | 0330401  | CARRIAGE                     |
| 14       | 4    | 0350125  | HEX NUT                      |
| 15       | 16   | 0350188  | LOCK NUT                     |
| 16       | 22   | 0350189  | JAMNUT                       |
| 17       | 8    | 0350190  | LOCK NUT                     |
| 18       | 4    | 0360143  | FLAT WASHER                  |
| 19       | 1    | 0440185  | 1/2" X 1/2" X 2" KEY (DRIVE) |
| 20       | 1    | 0440186  | 1/2" X 1/2" X 2" KEY (FAN)   |
| 26       | 2    | 1010205  | SHAFT BEARING                |
| 27       | 1    | 42BLO100 | BELT GUARD                   |
| 28       | 1    | 1140810  | ADAPTER                      |

| ITEM | QTY. | OPTIONAL MOTOR PART NO. |            | DESCRIPTION              |
|------|------|-------------------------|------------|--------------------------|
|      |      | 20 HP                   | 30 HP      |                          |
| 23   | 1    | 0540294-1               | 0540326-1  | SHEAVE - FAN SHAFT       |
| 21   | 1    | 0470114-4               | 0470114-4  | BUSHING - FAN SHEAVE     |
| 24   | 1    | 0540293-1               | 0540325-1  | SHEAVE - MOTOR           |
| 22   | 1    | 0470250-4               | 0470250-3  | BUSHING - MOTOR SHEAVE   |
| -    | 4    | 0480535                 | 0480539    | BELT                     |
| 25   | 1    | A-42BLO-30              | A-42BLO-40 | BELT DRIVE WITHOUT MOTOR |
| 25   | 1    | A-42BLO-35              | A-42BLO-45 | BELT DRIVE WITH MOTOR    |



More Than Machines