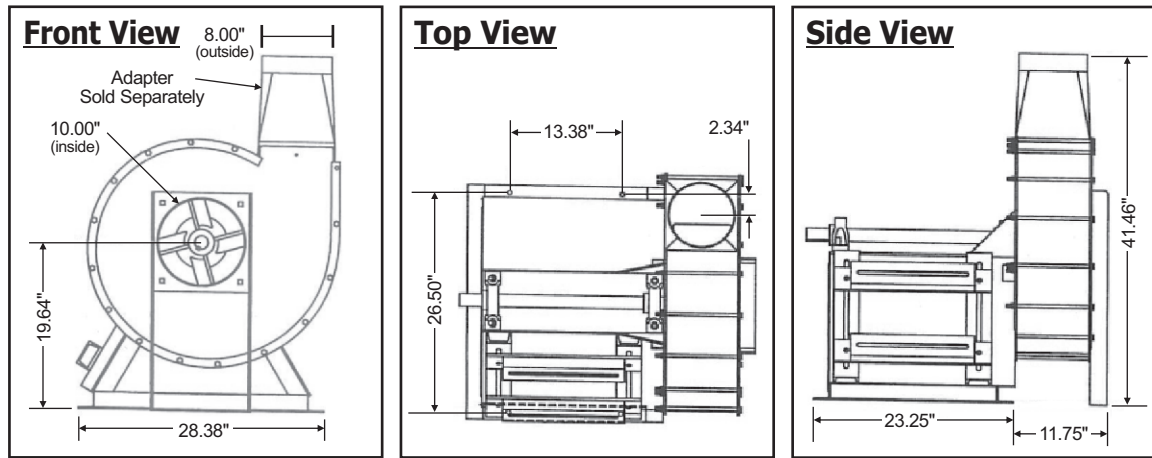
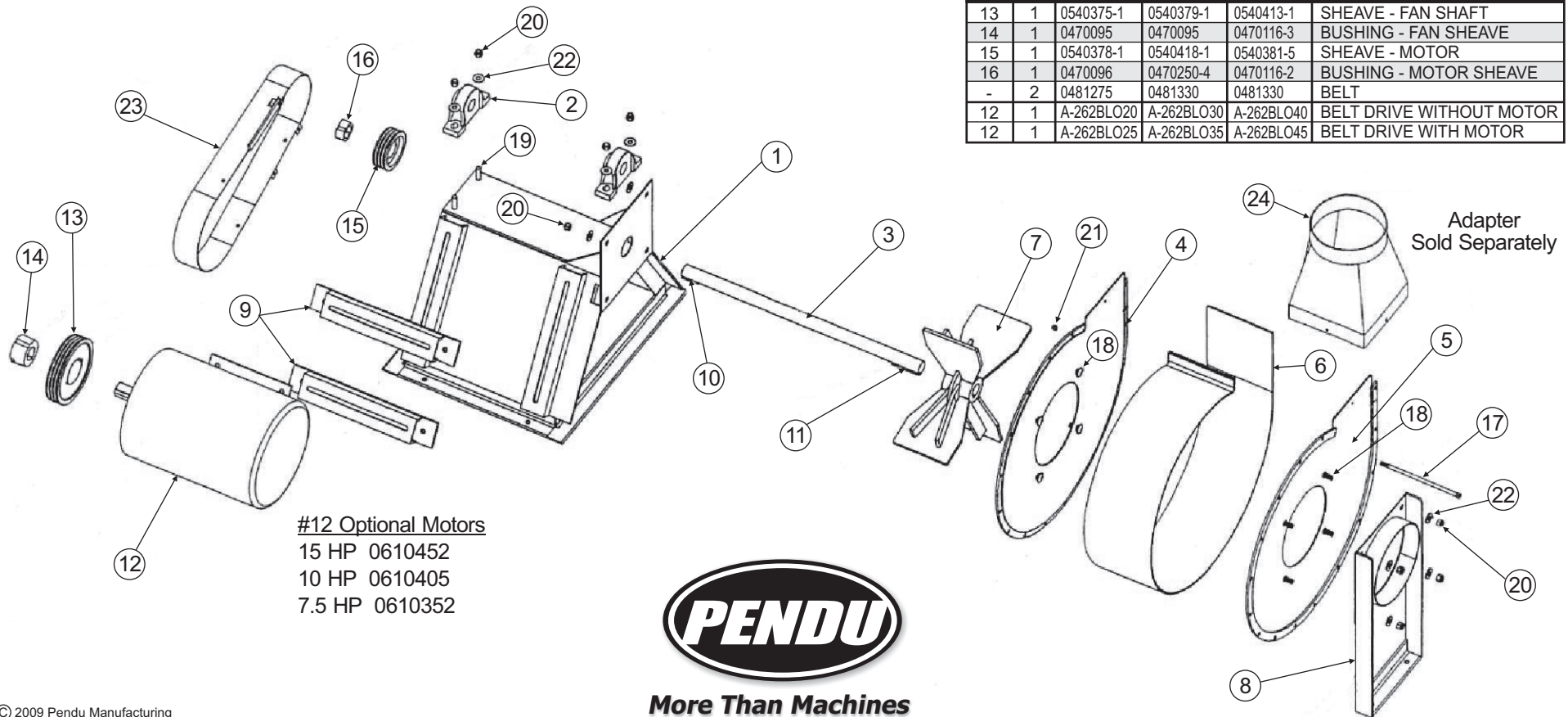


262 Blower - Parts and Assembly



ITEM NO.	QTY.	PART NO.	DESCRIPTION
1	1	262BLO130	FRAME
2	2	1010190	SHAFT BEARINGS
3	1	262BLO140	SHAFT
4	2	26BLO230	PLATE - DRIVE SIDE
5	2	26BLO240	PLATE - INLET SIDE
6	1	26BLO120	SCROLL SHEET
7	1	26BLO110	FAN
8	1	262BLO120	LEG - INLET
9	2	262BLO150	RAIL - MOTOR
10	1	0440163	KEY - DRIVE
11	1	0440165	KEY - FAN
17	1	0330168	3/8" - 16 X 10" HHCS
18	8	0330378	CARRIAGE BOLT
19	4	0330205	1/2 - 13 X 2-1/2 HHCS
20	12	0350188	1/2 - 13 X 2-1/2 HHCS
21	1	0350184	FLAT WASHER
22	12	0360142	LOCK NUT
23	1	262BLO100	BELT GUARD
24	1	1140800	ADAPTER

ITEM	QTY.	OPTIONAL MOTOR PART NO.			DESCRIPTION
		7.5 HP	10 HP	15 HP	
13	1	0540375-1	0540379-1	0540413-1	SHEAVE - FAN SHAFT
14	1	0470095	0470095	0470116-3	BUSHING - FAN SHEAVE
15	1	0540378-1	0540418-1	0540381-5	SHEAVE - MOTOR
16	1	0470096	0470250-4	0470116-2	BUSHING - MOTOR SHEAVE
-	2	0481275	0481330	0481330	BELT
12	1	A-262BLO20	A-262BLO30	A-262BLO40	BELT DRIVE WITHOUT MOTOR
12	1	A-262BLO25	A-262BLO35	A-262BLO45	BELT DRIVE WITH MOTOR



#12 Optional Motors
 15 HP 0610452
 10 HP 0610405
 7.5 HP 0610352



More Than Machines