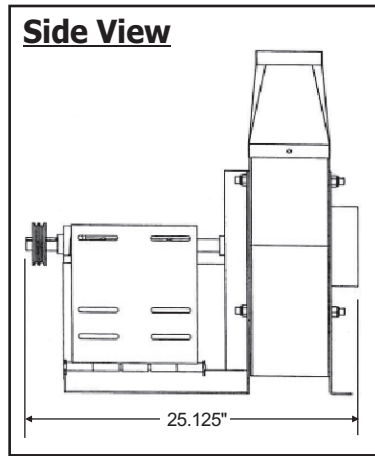
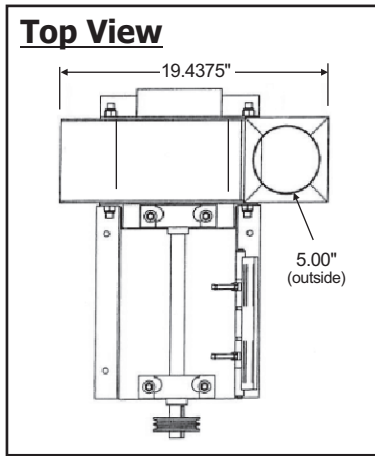
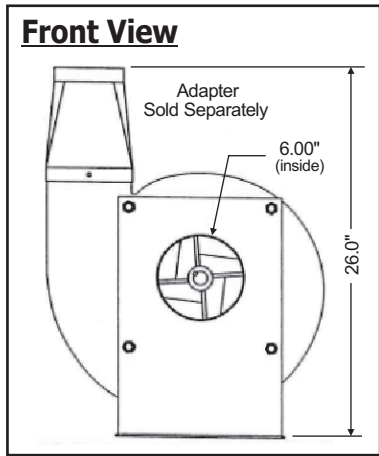
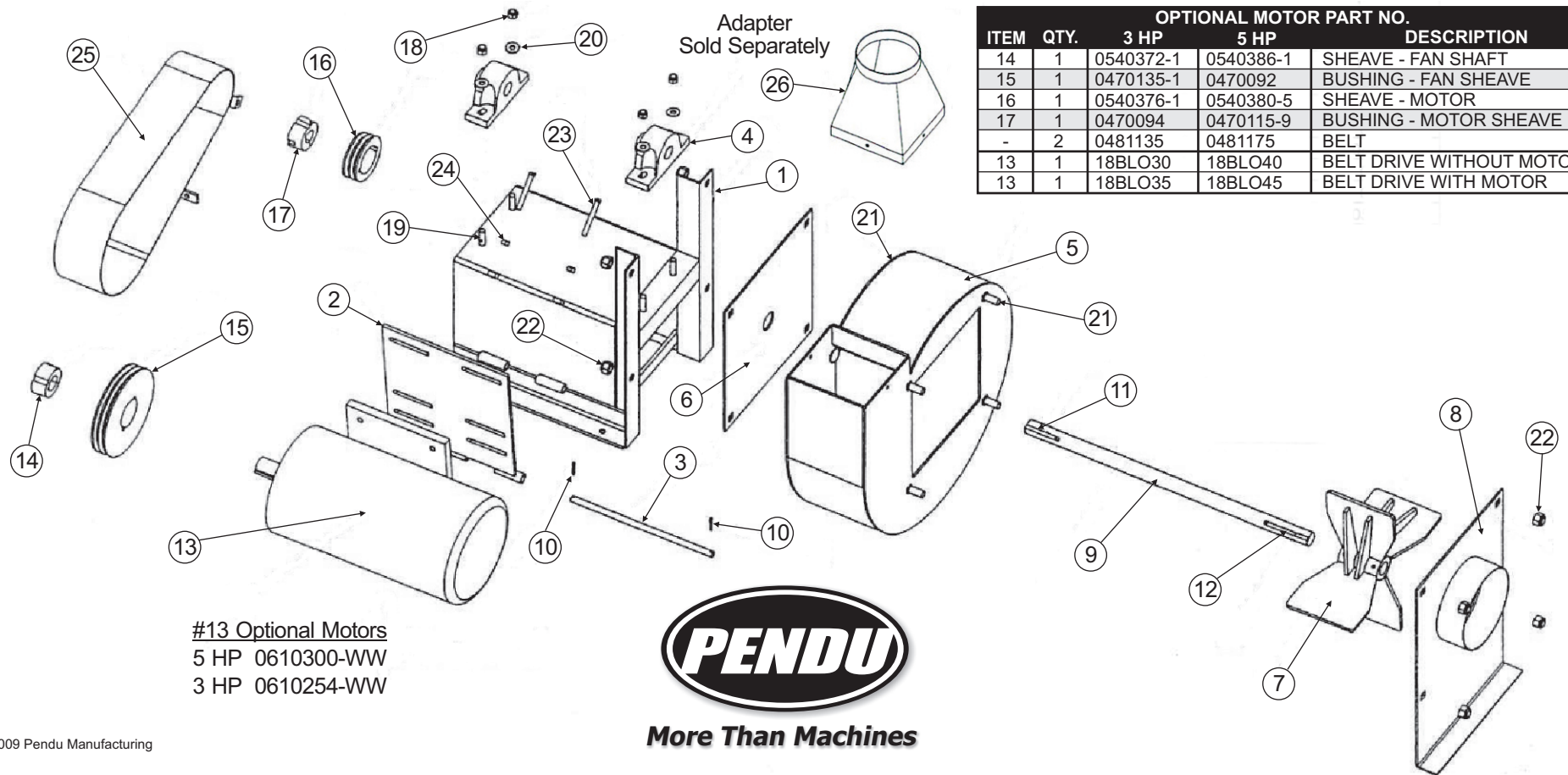


18" Blower - Parts and Assembly



ITEM NO.	QTY.	PART NO.	DESCRIPTION
1	1	18BLO190	FRAME
2	1	18BLO180	PLATE-MOTOR
3	1	18BLO220	HINGE PIN
4	2	1010160	SHAFT BEARING
5	1	18BLO120	HOUSING - FAN
6	1	18BLO210	COVER - SHAFT
7	1	18BLO110	FAN
8	1	18BLO200	PLATE - INLET
9	1	18BLO130	SHAFT
10	2	0410210	COTTER PIN
11	1	0440127	KEY - DRIVE
12	1	0440128	KEY - FAN
18	4	0350184	LOCK NUT
19	4	0330152	3/8" - 16 HHCS
20	4	0360140	FLAT WASHER
21	4	0330377	CARRIAGE BOLT
22	4	0350188	LOCK NUT
23	2	0340123	5/16" - 18 X 2-1/4" SHSS
24	2	0350121	HEX NUT
25	1	18BLO100	BELT GUARD
26	1	1140805	ADAPTER

ITEM	QTY.	OPTIONAL MOTOR PART NO.		DESCRIPTION
		3 HP	5 HP	
14	1	0540372-1	0540386-1	SHEAVE - FAN SHAFT
15	1	0470135-1	0470092	BUSHING - FAN SHEAVE
16	1	0540376-1	0540380-5	SHEAVE - MOTOR
17	1	0470094	0470115-9	BUSHING - MOTOR SHEAVE
-	2	0481135	0481175	BELT
13	1	18BLO30	18BLO40	BELT DRIVE WITHOUT MOTOR
13	1	18BLO35	18BLO45	BELT DRIVE WITH MOTOR



#13 Optional Motors
 5 HP 0610300-WW
 3 HP 0610254-WW



More Than Machines